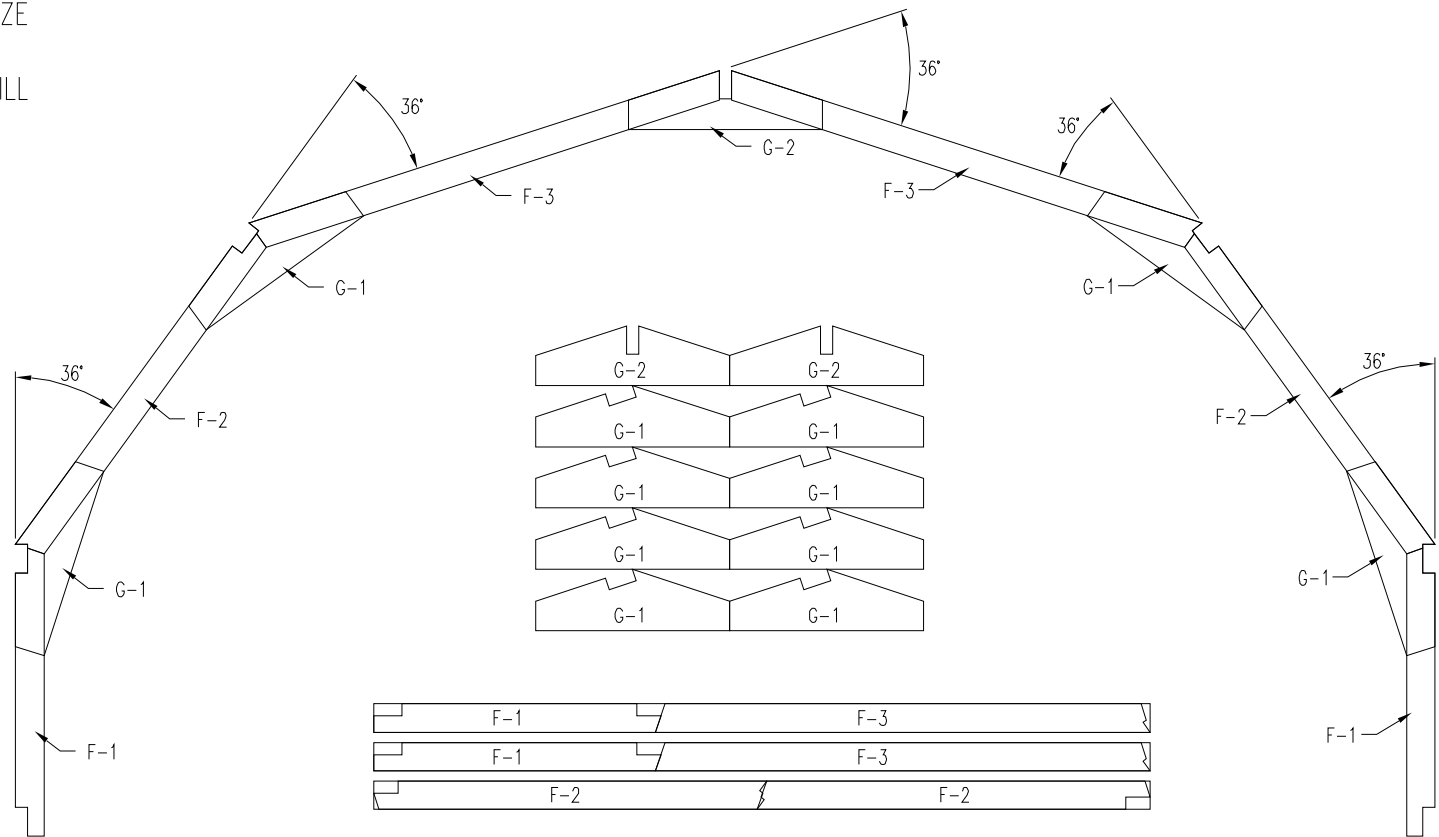


### FRAME MATERIAL:

EACH FRAME IS DESIGNED TO OPTIMIZE THE USE OF WOOD EFFICIENTLY. TO CONSTRUCT A SINGLE FRAME YOU WILL NEED

- 1) 3~8'x 2"x 4" BOARD
- 2) 1~1/2"x 4'x 3'-2" PLYWOOD
- 3) 1 3/4" WOOD SCREWS
- 4) WATERPROOF WOOD GLUE



### FRAME CONSTRUCTION:

- 1) FIND A LARGE OPEN FLAT SURFACE THE SIZE OF THE FRAME AND USING CHALK DRAW OUT THE OUTSIDE OUTLINE OF THE FRAME FULL-SCALE.
- 2) LAY OUT THE 2"x 4" FRAME BOARDS ON THE FULL-SIZE TEMPLATE YOU MARKED ON THE SURFACE (DRIVE-WAY. ETC.)
- 3) ASSEMBLE THE FRAME BY CONNECTING ALL BOARD WITH THE GUSSETS. ATTACH THE GUSSETS TO WITH WATERPROOF WOOD GLUE AND SCREWS.
- 4) AFTER YOU INSTALL ALL THE GUSSETS, TURN THE FRAME OVER AND PUT GUSSETS ON THE OPPOSITE SIDE.
- 5) MOVE THE FINISHED FRAME OFF TO THE SIDE AND CONSTRUCT THE NEXT FRAME, UNTIL ALL FRAMES ARE DONE.

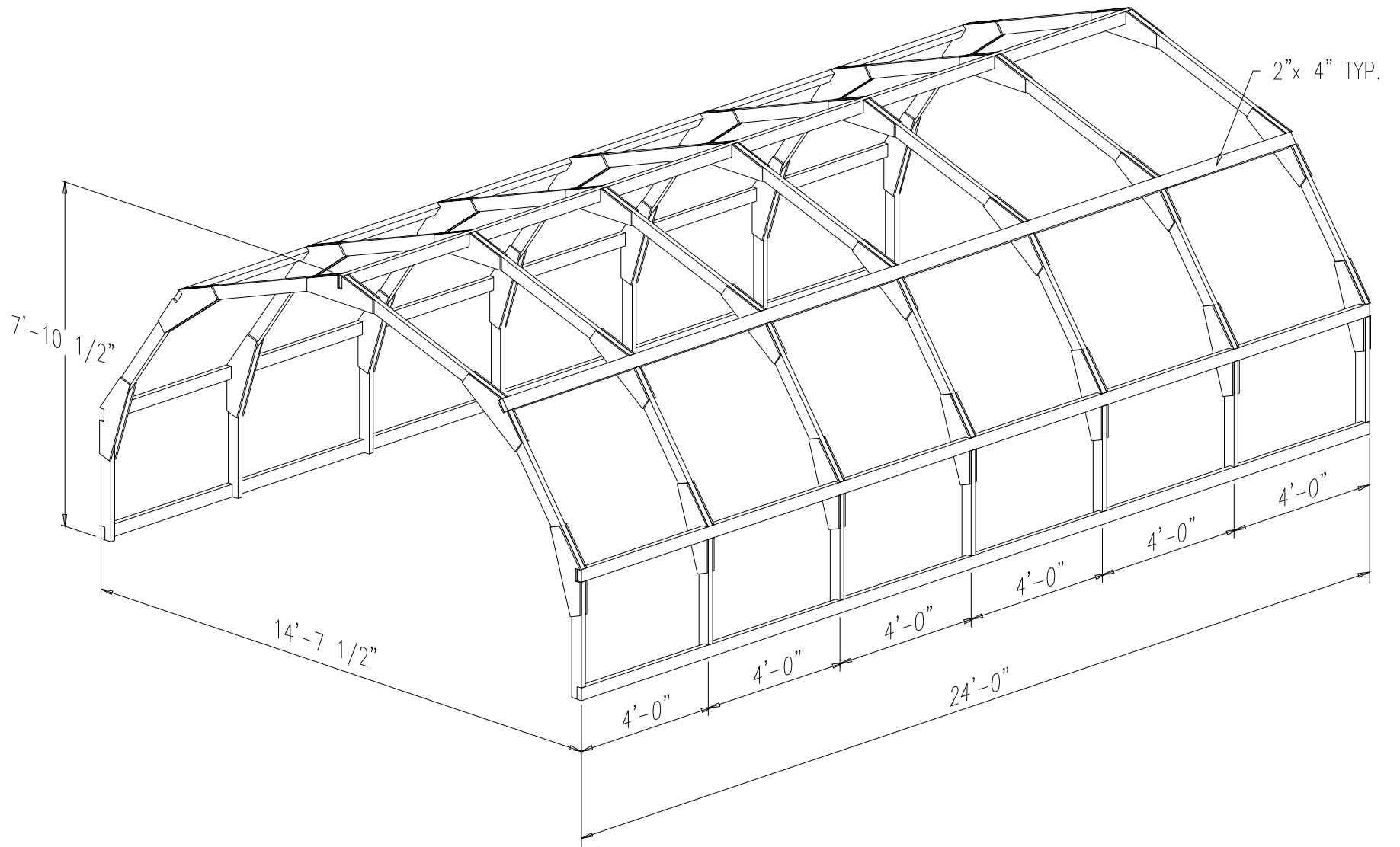
### FRAME PARTS & ASSEMBLY

GREENHOUSE FRAME DESIGN  
-PRELIMINARY-

COMPANY: Self-Sufficient Homestead Podcast

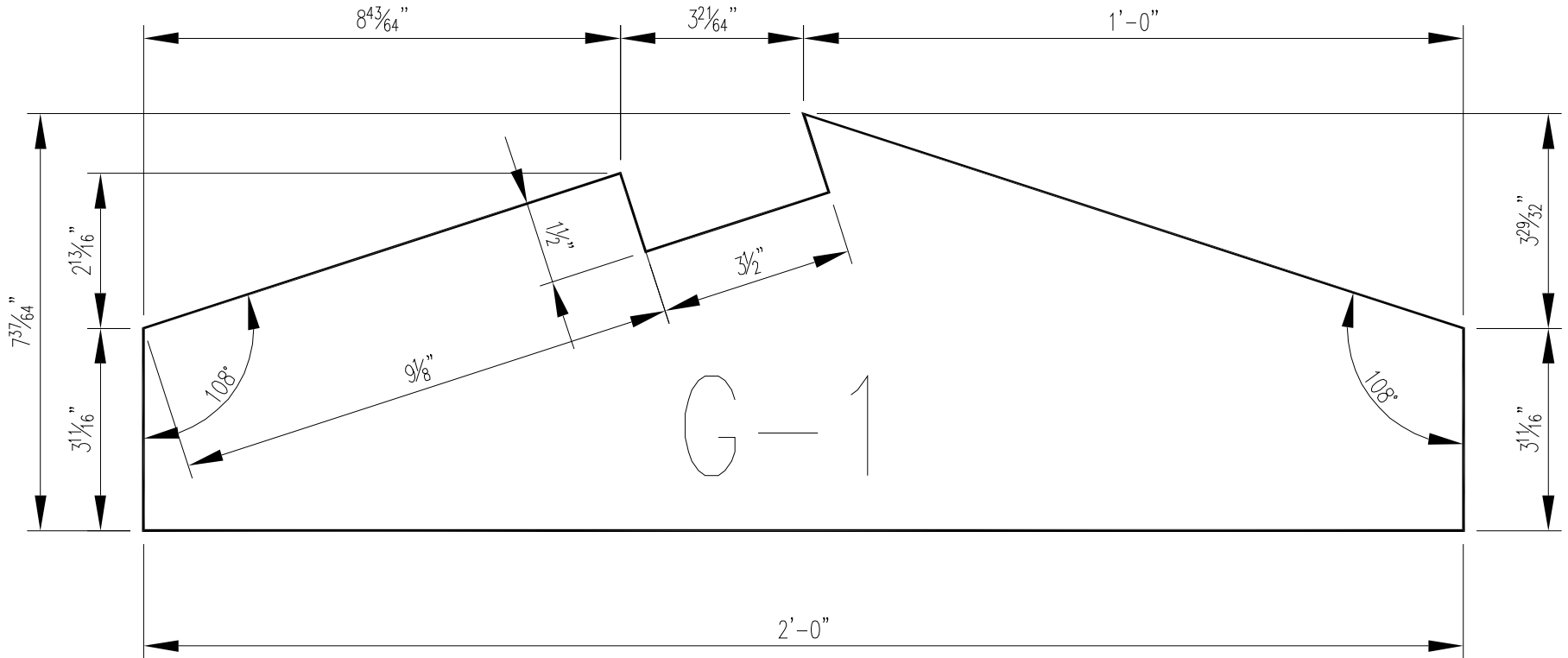
DESIGNER: Johnny MAX! SCALE: N.T.S.

APPROVED BY: the Queen SHEET: 1 OF 5



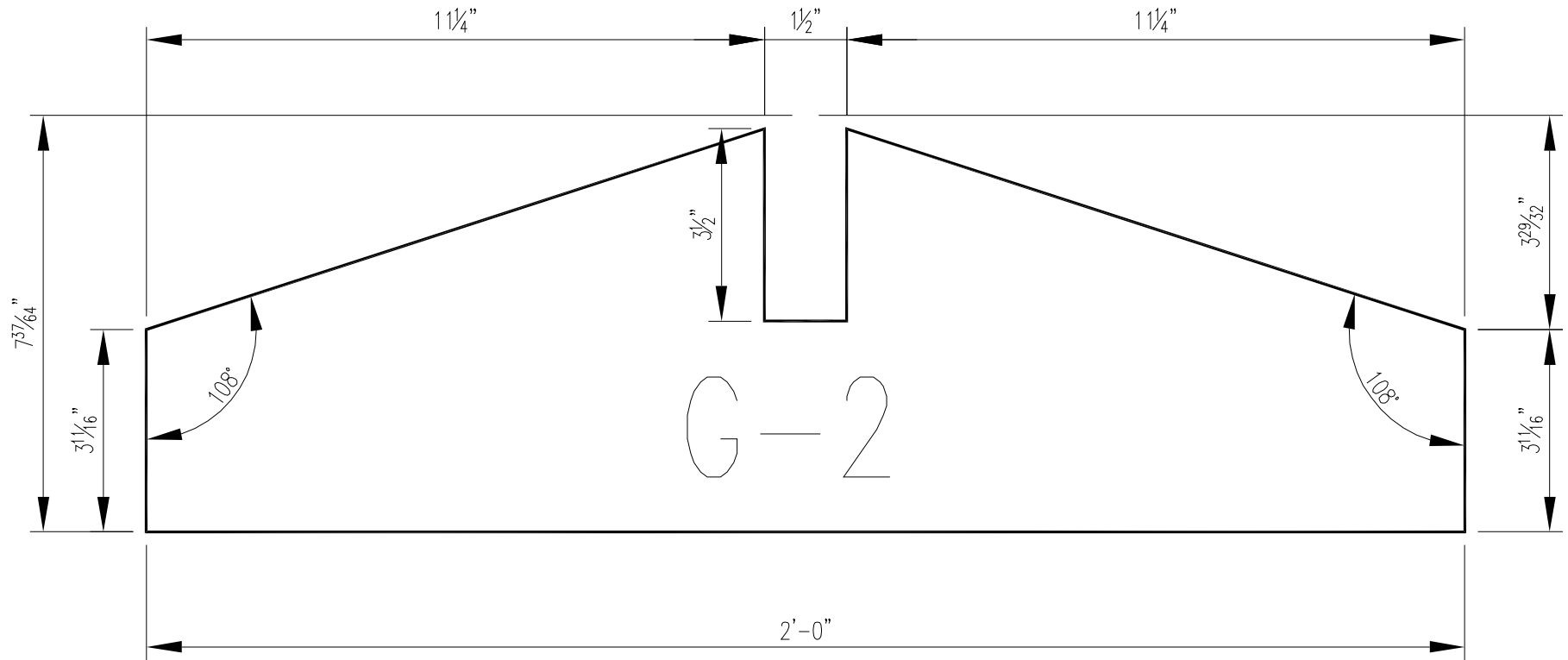
CONNECT FRAMES WITH 2"x 4" BOARDS  
 INSERTED IN THE NOTCHES OF THE  
 FRAMES AND SECURE WITH WATERPROOF  
 WOOD GLUE AND 3" WOOD SCREWS  
 (PRETAP HOLES WITH SMALLER DRILL BIT).

<b>GREENHOUSE ERECTION DIAGRAM</b>	
GREENHOUSE FRAME DESIGN -PRELIMINARY-	
COMPANY: Self-Sufficient Homestead Podcast	
DESIGNER: Johnny MAX!	SCALE: N.T.S.
APPROVED BY: the Queen	SHEET: 2 OF 5

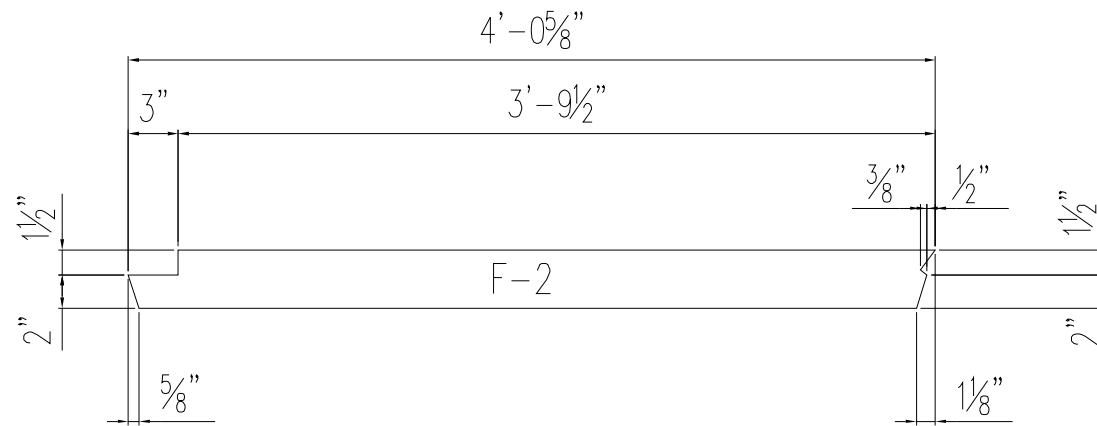
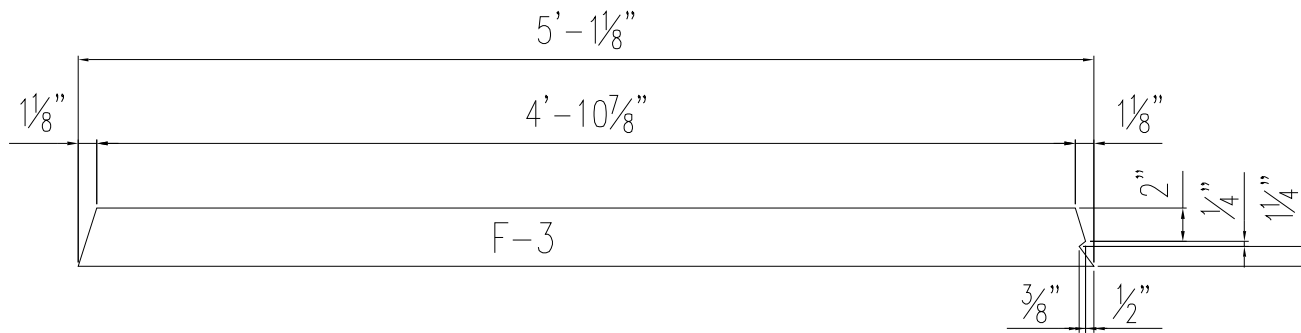
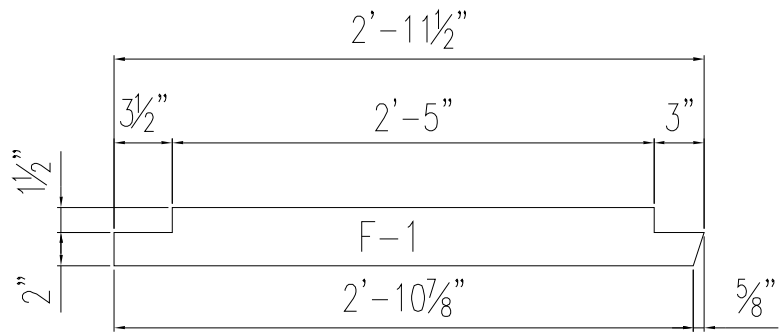


G-1

<b>G-1 DETAIL</b>	
GREENHOUSE FRAME DESIGN -PRELIMINARY-	
COMPANY: Self-Sufficient Homestead Podcast	
DESIGNER: Johnny MAX!	SCALE: N.T.S.
APPROVED BY: the Queen	SHEET: 3 OF 5



<b>G-2 DETAIL</b>	
GREENHOUSE FRAME DESIGN -PRELIMINARY-	
COMPANY: Self-Sufficient Homestead Podcast	
DESIGNER: Johnny MAX!	SCALE: N.T.S.
APPROVED BY: the Queen	SHEET: 4 OF 5



<b>2" x 4" FRAME PART DETAILS</b>	
GREENHOUSE FRAME DESIGN -PRELIMINARY-	
COMPANY: Self-Sufficient Homestead Podcast	
DESIGNER: Johnny MAX!	SCALE: N.T.S.
APPROVED BY: the Queen	SHEET: 5 OF 5